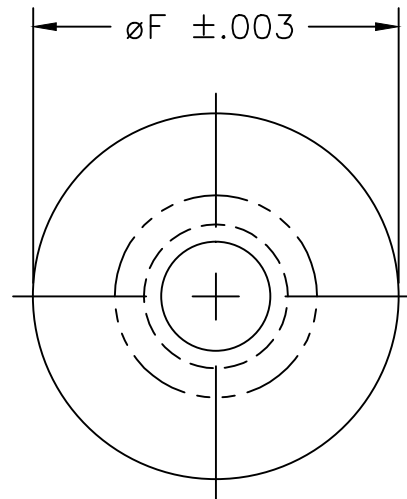
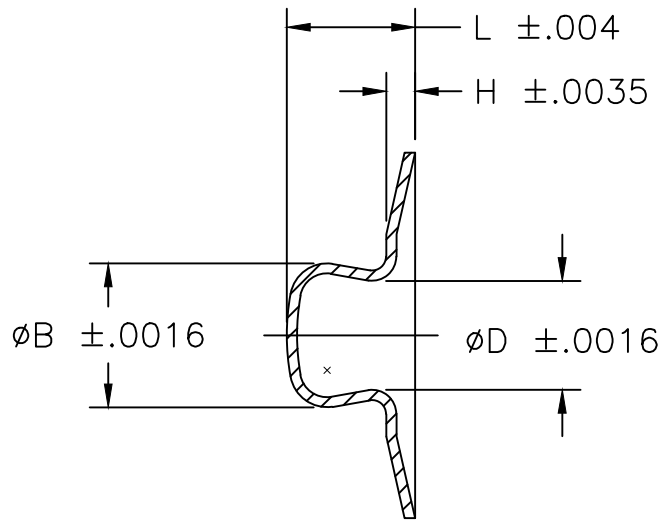


PART No.	B	D	F	H	L	MAT'L. THK.
N0161-SB	0.1535	0.1155	0.420	0.024	0.135	0.011
N0195-SB	0.1545	0.1175	0.420	0.032	0.140	0.011
N0205-SB	0.1545	0.1175	0.394	0.031	0.136	0.011
N0223-SB	0.1545	0.1170	0.345	0.030	0.141	0.011
N0228-SB	0.1545	0.1245	0.306	0.025	0.134	0.009



		PROPERTY OF NEWMARK MEDICAL COMPONENTS, INC. This document contains Proprietary Information and is submitted subject to return upon request and upon express condition that the information contained herein shall not be reproduced or transferred to other documents or used or disclosed to others for manufacturing or for any purpose except as specifically authorized in writing by NEWMARK MEDICAL COMPONENTS, INC.						TOLERANCES UNLESS OTHERWISE SPECIFIED; .XX ±.010 [.25] .XXX ±.005 [.13] .XXXX ±.0005 [.013] ANG. ±5°	NEWMARK MEDICAL COMPONENTS 2670 SOUTH MAIN STREET WATERBURY, CT 06706			
												SENSOR STUD
										304 STAINLESS STEEL		
	PASSIVATED								DRN. BY: MFP	DATE:	SCALE: SEE DWG	REV:
	CLEAN OR PLAIN								CKD. BY:	DATE: 2/13/13		
PART #	DESCRIPTION		DATE	REV	ECN No.	BY	CK.	REF:	NMC #: 6000/charted			
								DRAWING No.	6000-CHART			